

ISSUE FOR BLDG.	10.07.20
ISSUE FOR PERMIT	10.07.20
ADDENDUM #2	10.07.20



Tiffany L. Nash
11/20

interior details, wall and window types

drawing:

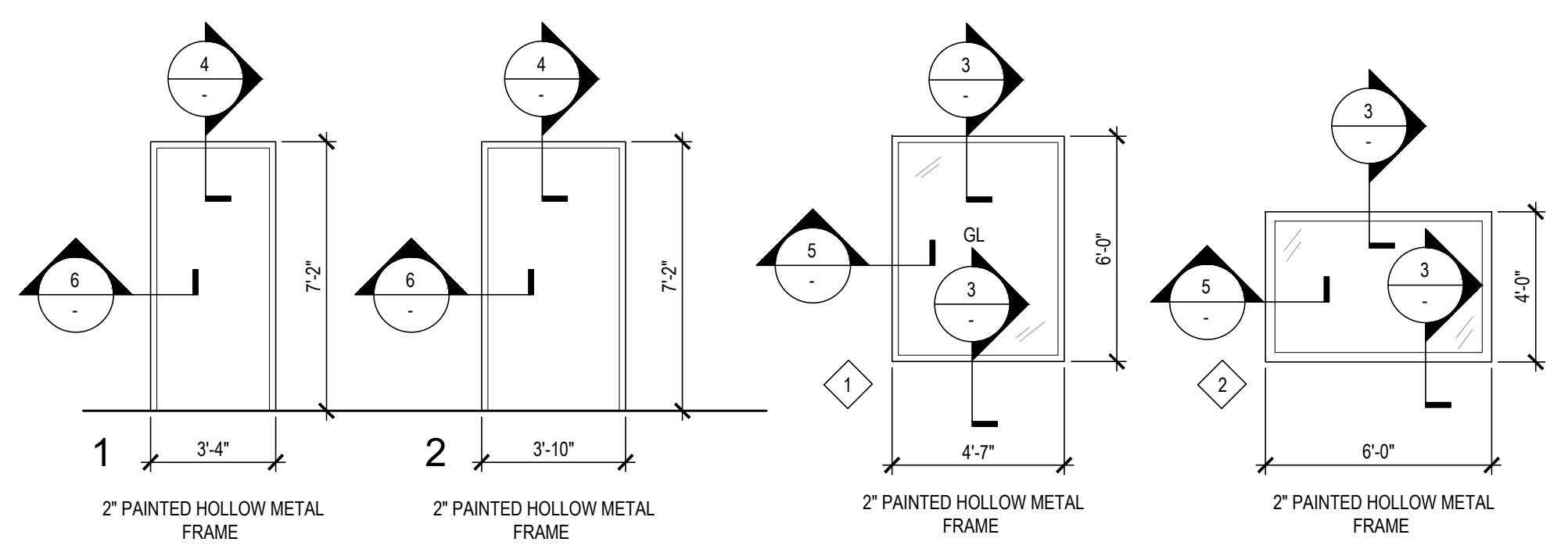
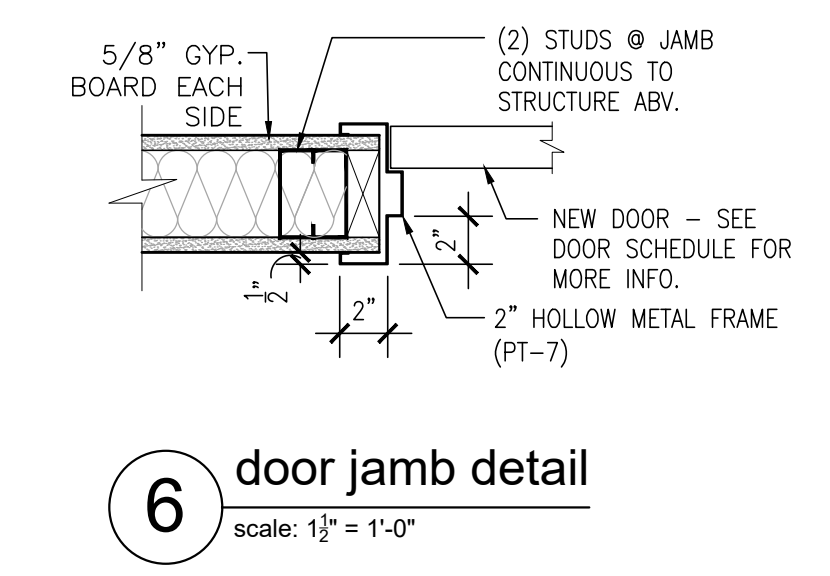
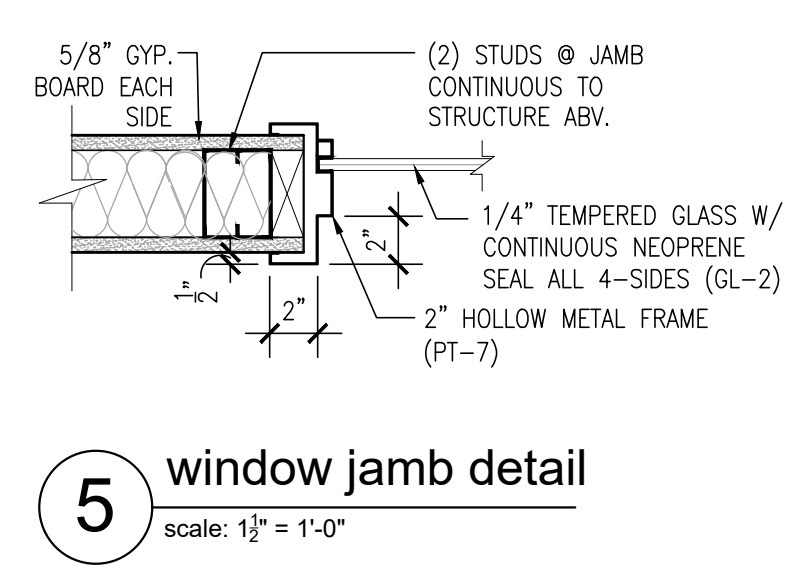
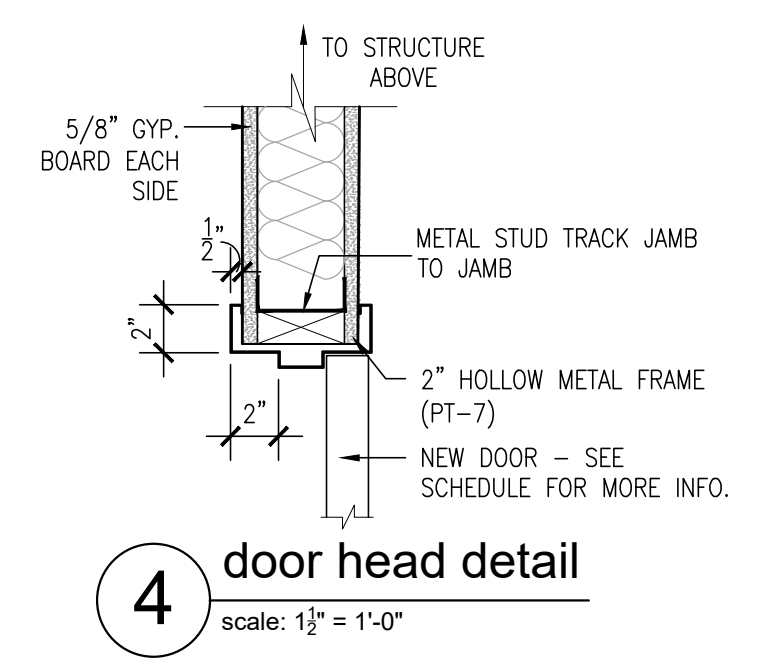
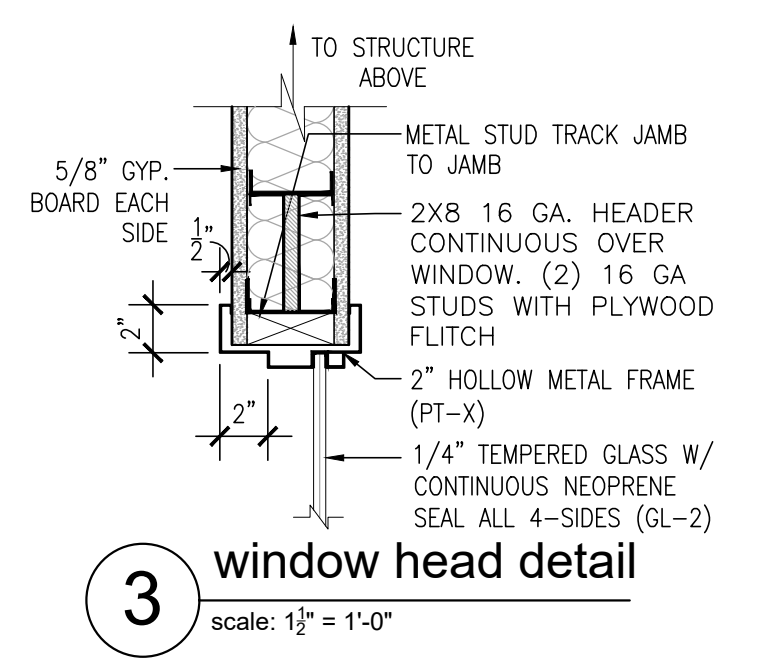
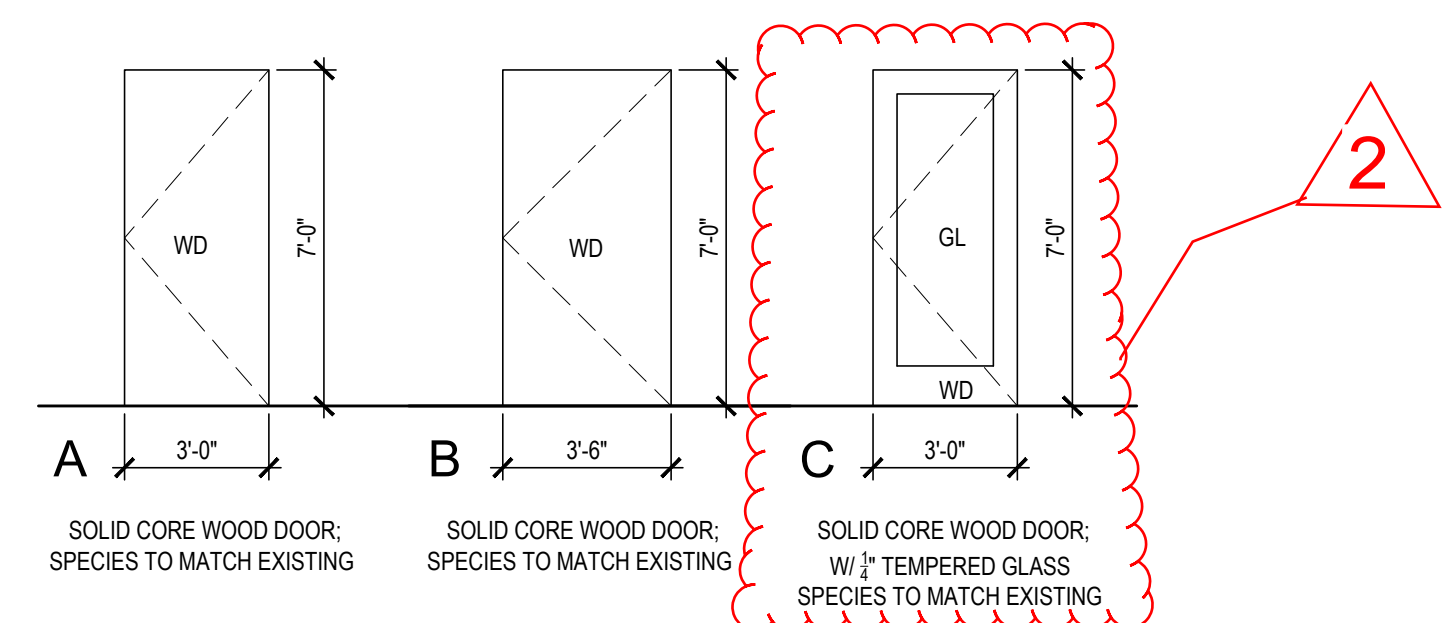
project:
Northbrook Public Library
1201 Cedar Ln,
Northbrook, IL 60062

project number:	1204
drawn by:	WB
approved by:	WB
drawing scale:	1"=1'-0" (var)
date issued:	

sheet number:

A6.0

sheet ___ of ___



13 door | hardware schedule
scale: NTS

NUMBER	DOOR	FRAME							DOOR HARDWARE NOTES					
		ROOM NAME	WIDTH	HEIGHT	THICKNESS	MATERIAL	TYPE	GLASS	FINISH	MATERIAL	TYPE	HARDWARE	FINISH	NOTES
101	LOBBY	3'-6"	7'-0"	1 1/2"	WOOD	B	N	STAIN	HMF	2	1.0	PT-X	SPECIES AND STAIN TO MATCH EXISTING BUILDING STANDARDS	SET 1.0 YALE 5407LN (F109) CYLINDRICAL LOCK WITH INTERCHANGEABLE CORE 1210 STYLE: PACIFIC BEACH FUNCTION: CLASSROOM FIN: SATIN CHROME ELECTRIC STRIKE WITH KEY CARD ACCESS; ADAMS RITE HD ELECTRIC STRIKE W/ALUM. FINISH) (2) IVES HINGES: 5-PB-1-5X5-652-NRP; 3 EACH DOOR (1) KICK PLATE: IVES 8400 S (107)US 32D (1) CLOSER W/ HOLD OPEN: LCN 4010-3049; POWDER COAT METALLIC. INSTALL ON PULL SIDE DOOR STOP (FLOOR) IVES F513 DOME STOP
102	LOBBY	3'-0"	7'-0"	1 1/2"	WOOD	A	N	STAIN	HMF	1	2.0	PT-X	SPECIES AND STAIN TO MATCH EXISTING BUILDING STANDARDS	SET 2.0 YALE NEXT TOUCH™ AU-NTB620-NR GRADE 1 KEYPAD CYLINDRICAL LOCK WITH INTERCHANGEABLE CORE 1210 STYLE: PACIFIC BEACH FUNCTION: OFFICE FIN: SATIN CHROME (1) KICK PLATE: IVES 8400 S (107)US 32D (1) IVES HINGES: 5-PB-1-5X5-652-NRP; 3 EACH DOOR (1) CLOSER W/ HOLD OPEN: LCN 4010-3049; POWDER COAT METALLIC. INSTALL ON PUSH SIDE DOOR STOP (FLOOR) IVES F513 DOME STOP
103	CIRC. MANAGER	3'-0"	7'-0"	1 1/2"	WOOD	C	Y	STAIN	HMF	1	3.0	PT-X	SPECIES AND STAIN TO MATCH EXISTING BUILDING STANDARDS	SET 3.0 YALE 5407LN (F109) CYLINDRICAL LOCK WITH INTERCHANGEABLE CORE 1210 STYLE: PACIFIC BEACH FUNCTION: CLASSROOM FIN: SATIN CHROME (2) IVES HINGES: 5-PB-1-5X5-652-NRP; 3 EACH DOOR DOOR STOP (FLOOR) IVES F513 DOME STOP
104	HUDDLE	3'-0"	7'-0"	1 1/2"	WOOD	A	N	STAIN	HMF	1	3.0	PT-X	SPECIES AND STAIN TO MATCH EXISTING BUILDING STANDARDS	
105	WELLNESS	3'-0"	7'-0"	1 1/2"	WOOD	A	N	STAIN	HMF	1	3.0	PT-X	SPECIES AND STAIN TO MATCH EXISTING BUILDING STANDARDS	

NOTES:
DOOR HARDWARE SHALL BE CAPABLE OF OPERATION WITH THE USE OF ONE (1) HAND AND SHALL NOT REQUIRE TIGHT PINCHING, TIGHT GRASPING, OR TWISTING OF THE WRIST TO OPERATE. THUMB-TURN DEADBOLTS/LOCKS ARE PROHIBITED; LEVER OR PADDLE DEADBOLT/LOCK RELEASES ARE ACCEPTABLE. DOOR THRESHOLD SHALL NOT EXCEED ONE-HALF INCH (1/2") IN HEIGHT, THRESHOLDS EXCEEDING ONE QUARTER INCH (1/4") IN HEIGHT SHALL HAVE A 1:2 BEVEL. DOOR CLOSERS SHALL MEET OPENING FORCE AND SWEEP PERIOD REQUIREMENTS.

DOOR HARDWARE NOTES

SET 1.0
YALE 5407LN (F109) CYLINDRICAL LOCK WITH INTERCHANGEABLE CORE 1210
STYLE: PACIFIC BEACH | FUNCTION: CLASSROOM | FIN: SATIN CHROME
ELECTRIC STRIKE WITH KEY CARD ACCESS; ADAMS RITE HD ELECTRIC STRIKE W/ALUM. FINISH)
(2) IVES HINGES: 5-PB-1-5X5-652-NRP; 3 EACH DOOR
(1) KICK PLATE: IVES 8400 S (107)US 32D
(1) CLOSER W/ HOLD OPEN: LCN 4010-3049; POWDER COAT METALLIC. INSTALL ON PULL SIDE DOOR STOP (FLOOR) IVES F513 DOME STOP

SET 2.0
YALE NEXT TOUCH™ AU-NTB620-NR GRADE 1 KEYPAD CYLINDRICAL LOCK WITH INTERCHANGEABLE CORE 1210 |
STYLE: PACIFIC BEACH | FUNCTION: OFFICE | FIN: SATIN CHROME
(1) KICK PLATE: IVES 8400 S (107)US 32D
(1) IVES HINGES: 5-PB-1-5X5-652-NRP; 3 EACH DOOR
(1) CLOSER W/ HOLD OPEN: LCN 4010-3049; POWDER COAT METALLIC. INSTALL ON PUSH SIDE DOOR STOP (FLOOR) IVES F513 DOME STOP

SET 3.0
YALE 5407LN (F109) CYLINDRICAL LOCK WITH INTERCHANGEABLE CORE 1210
STYLE: PACIFIC BEACH | FUNCTION: CLASSROOM | FIN: SATIN CHROME
(2) IVES HINGES: 5-PB-1-5X5-652-NRP; 3 EACH DOOR
DOOR STOP (FLOOR) IVES F513 DOME STOP

NOTES
1. ALL NEW HARDWARE TO MATCH EXISTING
2. CLASSROOM FUNCTION IS TO ALLOW LOCKING FROM EXTERIOR SIDE OF DOOR. FUNCTION TO MATCH EXISTING OFFICES IN BUILDING

